

4

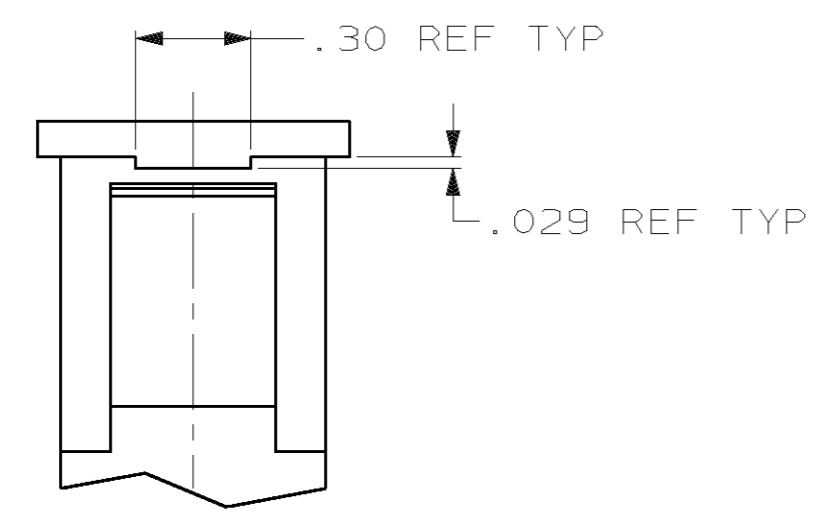
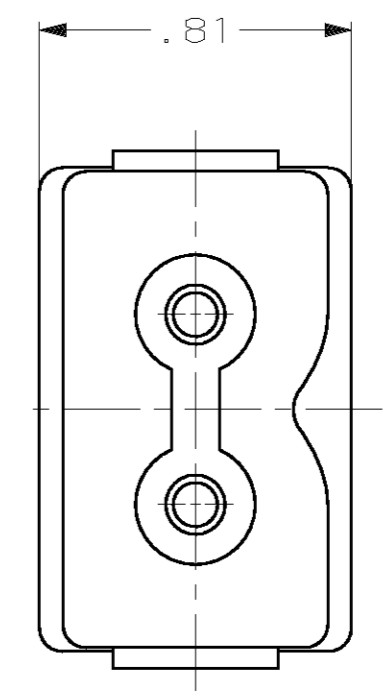
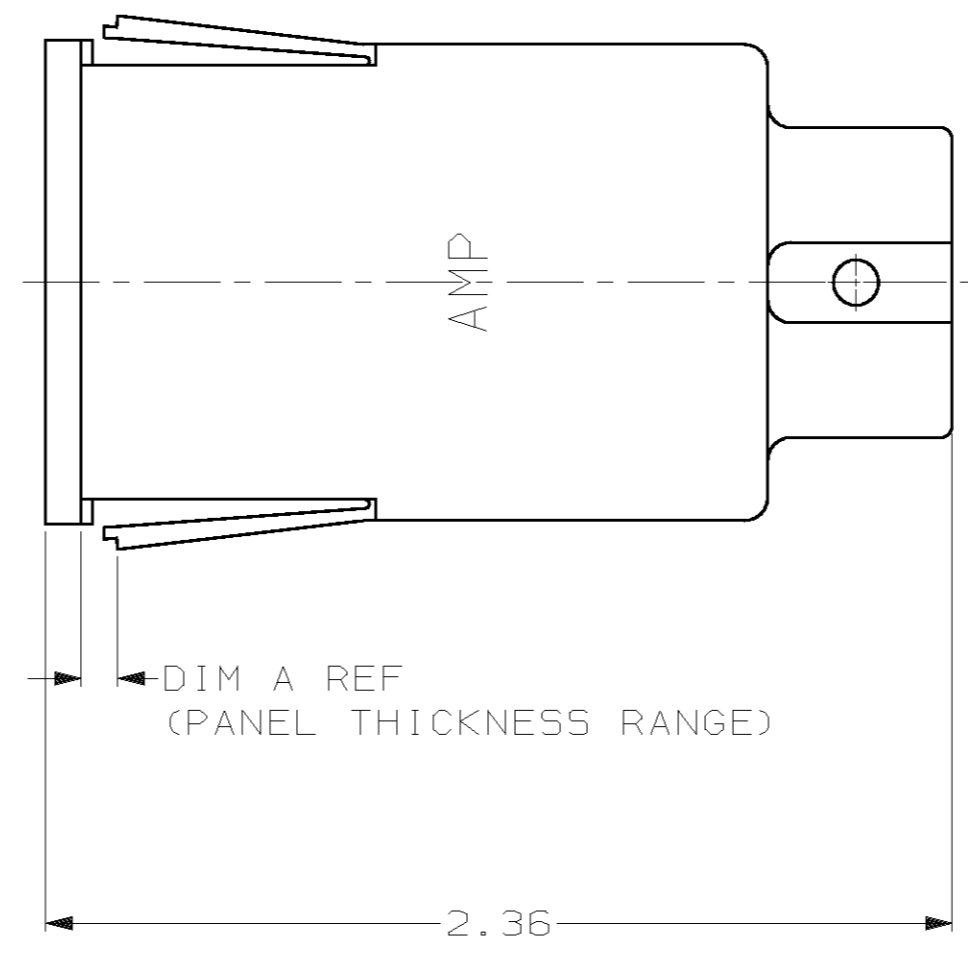
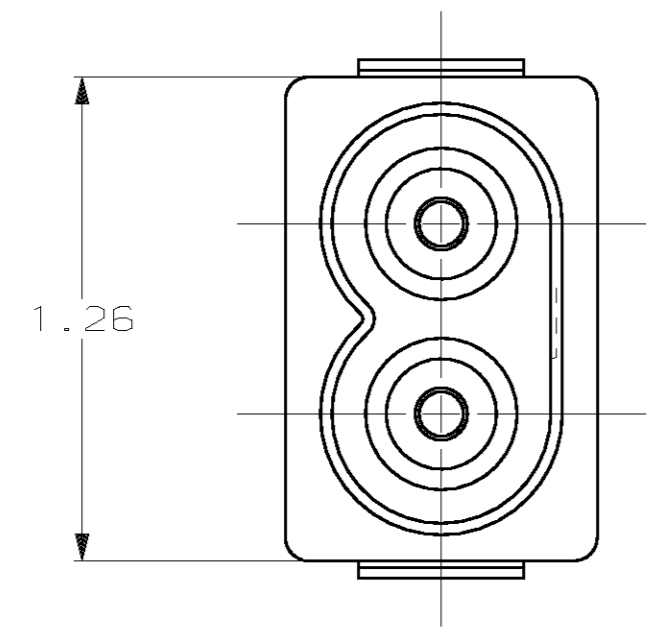
3

2

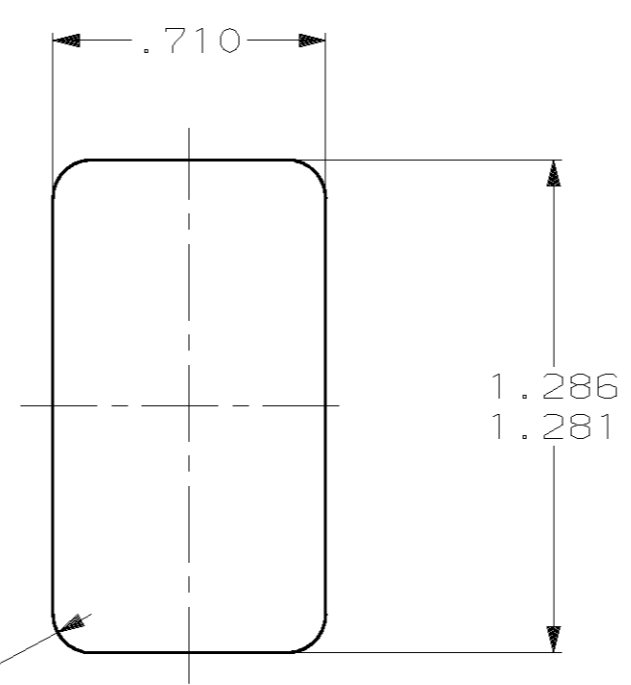
1

THIS DRAWING IS UNPUBLISHED. RELEASED FOR PUBLICATION, 19  
 (C) COPYRIGHT 19 BY AMP INCORPORATED, ALL RIGHTS RESERVED.

LOC	DIST	REVISIONS			
P	LTR	DESCRIPTION	DATE	DWN	APVD
DF	50				
		D	REV PER 063D-0181-03	4-03	CT DE



.30 TAB ON ALL  
DASH NUMBERS EXCEPT -2



RECOMMENDED  
PANEL CUTOUT

	.051-.065	862382-9
	.051-.065	862382-8
	.051-.065	862382-7
	.082-.096	862382-6
OBsolete	.024-.038	862382-5
	.051-.065	862382-4
	.082-.096	862382-3
	.024-.038	862382-2
	.051-.065	862382-1
	DIM A	PART NO.

THIS DRAWING IS A CONTROLLED DOCUMENT.		DWN	C.C. THOMAS	4-21-03	 TYCO Electronics Harrisburg, PA 17105-3608													
DIMENSIONS:		CHK	D.EABY	4-21-03														
INCHES		APVD	D.EABY	4-21-03														
<table border="1"> <thead> <tr> <th>TOLERANCES UNLESS OTHERWISE SPECIFIED:</th> <th></th> </tr> </thead> <tbody> <tr><td>0 PLC</td><td>±-</td></tr> <tr><td>1 PLC</td><td>±-</td></tr> <tr><td>2 PLC</td><td>±.03</td></tr> <tr><td>3 PLC</td><td>±.015</td></tr> <tr><td>4 PLC</td><td>±-</td></tr> <tr><td>ANGLES</td><td>±-</td></tr> </tbody> </table>		TOLERANCES UNLESS OTHERWISE SPECIFIED:		0 PLC		±-	1 PLC	±-	2 PLC	±.03	3 PLC	±.015	4 PLC	±-	ANGLES	±-	PRODUCT SPEC	
TOLERANCES UNLESS OTHERWISE SPECIFIED:																		
0 PLC	±-																	
1 PLC	±-																	
2 PLC	±.03																	
3 PLC	±.015																	
4 PLC	±-																	
ANGLES	±-																	
MATERIAL	VALOX	COLOR	BLACK	WEIGHT	-													
CUSTOMER DRAWING		SCALE	2:1	SHEET	1 OF 1													
		SIZE	A2	CAGE CODE	00779													
		DRAWING NO	862382	RESTRICTED TO	-													
		REV	D															